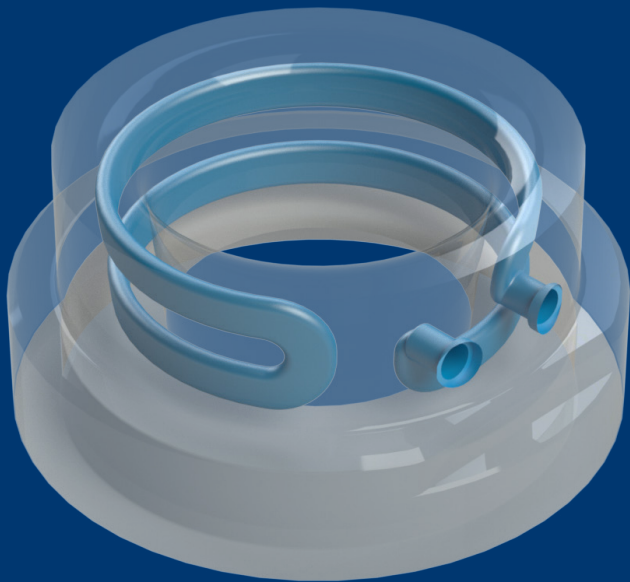




Products & Services > Die Casting  
> iTerm® Feed Ring

# DATA SHEET

## iTerm® Feed Ring



## iTherm® Feed Ring



### DESCRIPTION

iTherm® Feed Ring is a conformal-cooling single-body feed ring with specially designed internal cooling system for the reduction of cycle time and productivity improvement in HPDC.

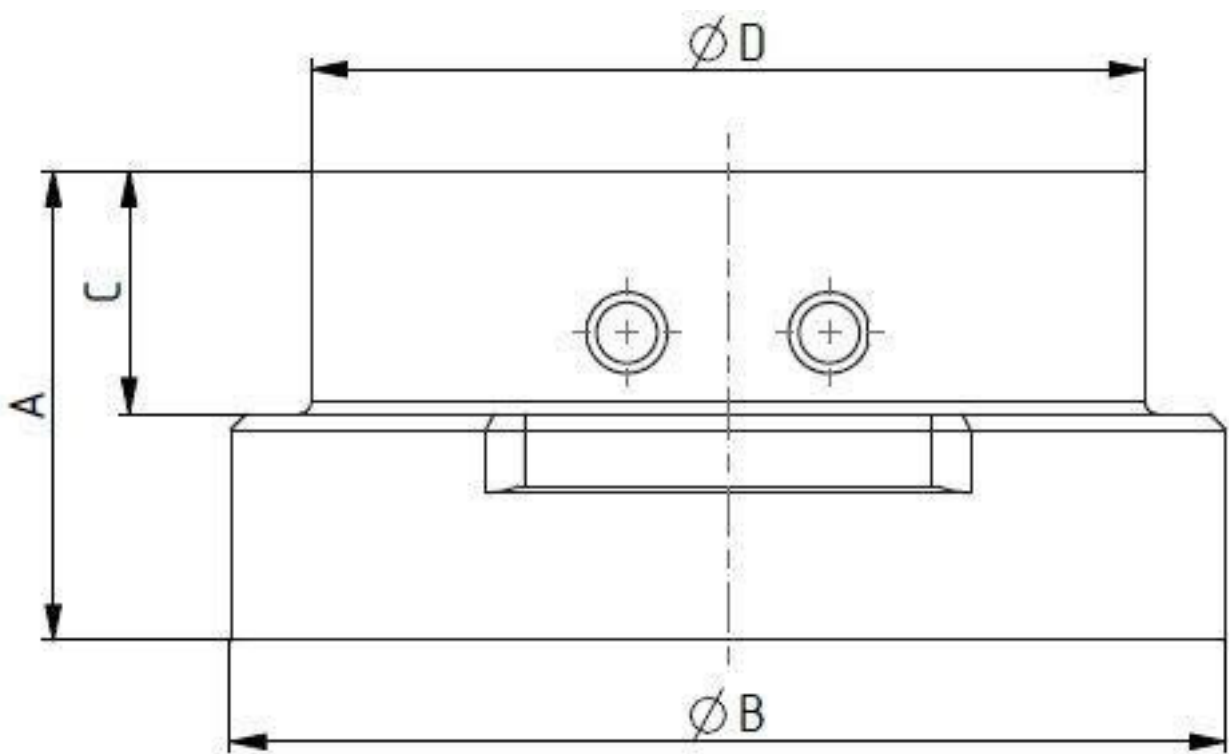
### MAIN ADVANTAGES

- Extra flexibility to bring cooling channels near the critical zones of feed ring
- Only has two connectors for cooling water (IN/OUT). With this, there is no possibility of leakage
- The heat is distributed much more even over the surface, so the ring is cooling down more evenly and quicker
- Time gain in phase of biscuit solidification, decreasing the biscuit problem related downtimes
- Significantly shorter cycle time. Our customers have reported up to 15% shorter cycle times

## iTherm® Feed Ring

### GENERAL DIMENSIONS

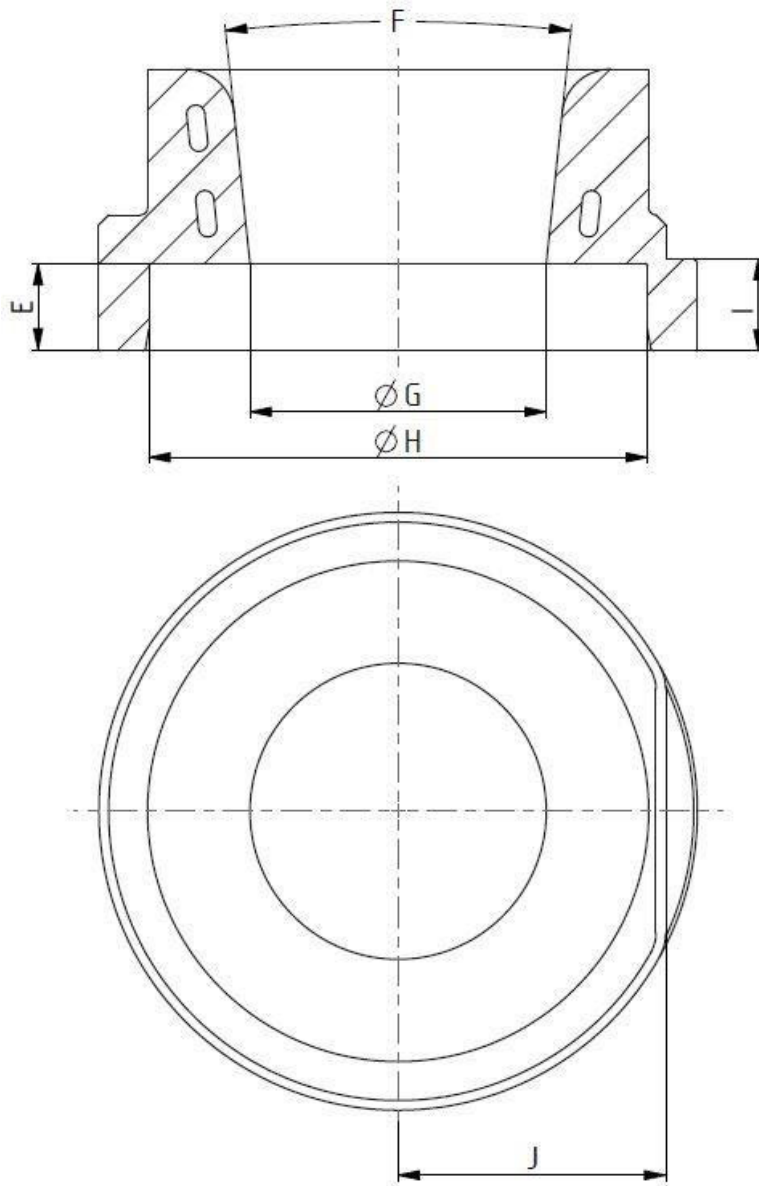
Ask for type in input, provide info on limits and tolerances.



Parameter	Dimensions	Tolerances
<b>A</b>	75 - 155	$\pm 0,01$
<b><math>\varnothing B</math></b>	205 - 285	/
<b>C</b>	40 - 100	$\pm 0,01$
<b><math>\varnothing D</math></b>	165 - 245	$\pm 0,01$

All dimensions are in mm

## iTherm® Feed Ring



Parameter	Dimensions	Tolerances
<b>E</b>	20 - 75	$\pm 0,01$
<b>F</b>	12°	/
<b><math>\varnothing G</math></b>	80 - 160	$\pm 0,06/-0,02$
<b><math>\varnothing H</math></b>	165 - 245	$\pm 0,03/-0,02$
<b>I</b>	22 - 77	/
<b>J</b>	70 - 150	0/-0,03

All dimensions are in mm

## iTherm® Feed Ring

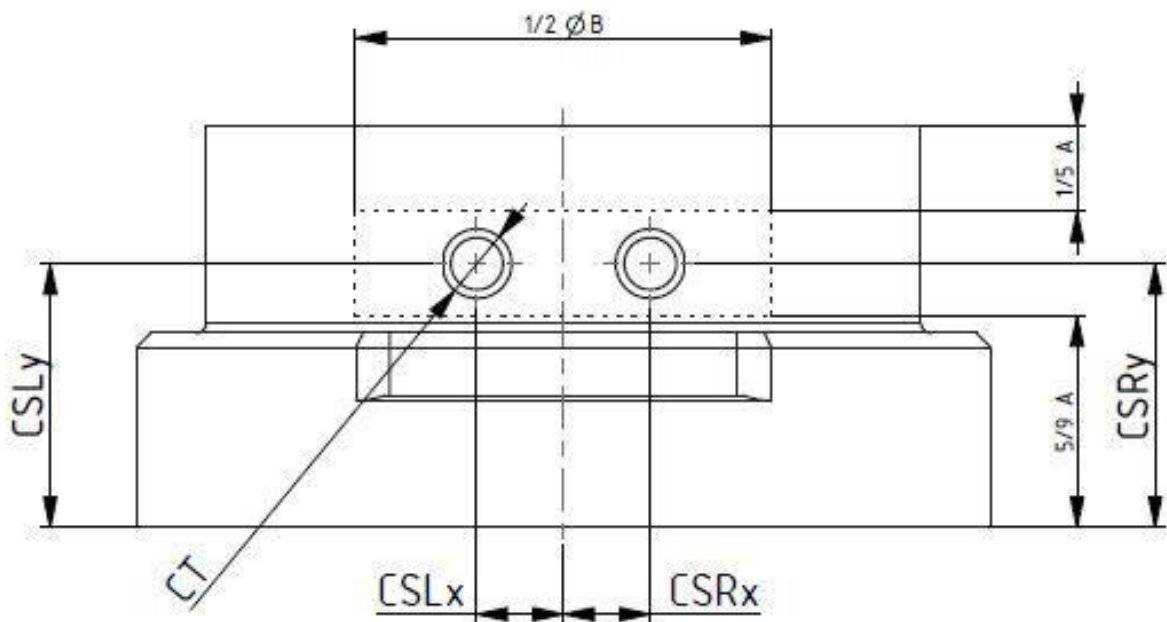
### COOLING POWER (W/cm<sup>2</sup>)

Provide selection, ask to select. No drawing needed.

- Low ( 10 W/cm<sup>2</sup>)
- Medium ( 20 W/cm<sup>2</sup>)
- High ( 30 W/cm<sup>2</sup>)

### IN/OUT HOLES, CONNECTION HOLES

Type Side for IN/OUT



### MATERIAL

- Dievar
- H11

### MATERIAL PROPERTIES

44 - 48 HRC

## iTherm® Feed Ring

**Do you need a slightly different  
design or component?**

**We got you covered.**

Contact our die casting professionals and we will do our best to match your requirements. You can count on us to support you through each step of performance improvement.

[sales@hts-ic.com](mailto:sales@hts-ic.com)