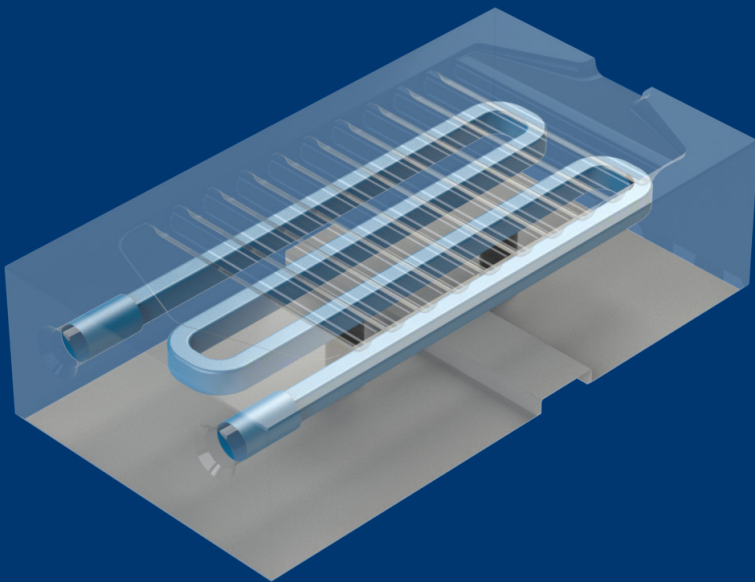




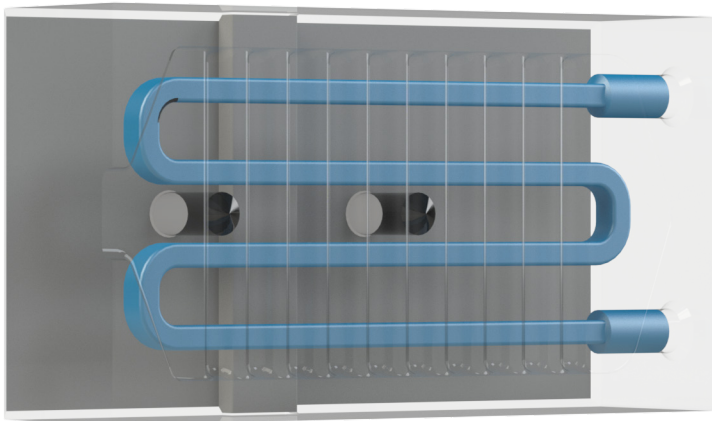
Products & Services > Die Casting
> iTerm® Chill Vent

DATA SHEET

iTerm® Chill Vent



iTherm® Chill Vent



DESCRIPTION

iTherm® line of high performance Chill Vents is engineered for optimum venting. iTherm® Chill Vents have built in conformal-cooling circuit that assures immediate freeze of molten metal.

MAIN ADVANTAGES

- Designed for high heat transfer
- Two standard design types; vacuum and non-vacuum, in both cases is possible to choose between 0,7 and 0,9 mm clearance.

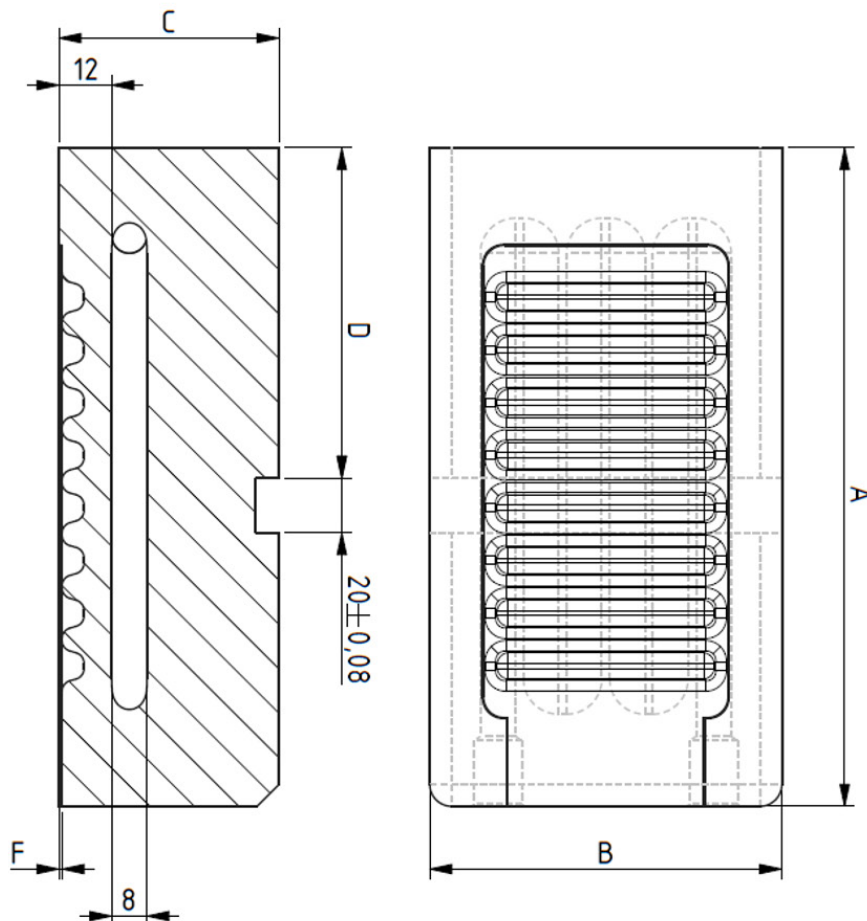
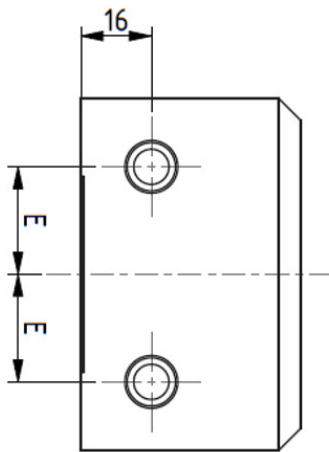
GENERAL DIMENSIONS

	Part ID			
	CVV-S-C7/9	CVV-M-C7/9	CVV-L-C7/9	CVV-XL-C7/9
A +0/-0,06	135	155	175	185
B +0/-0,05	80	90	90	100
C +0,05/-0	50			
D ± 0,046	55	55	65	65
E	24,5			
F	0,7/0,9			

All dimensions are in mm

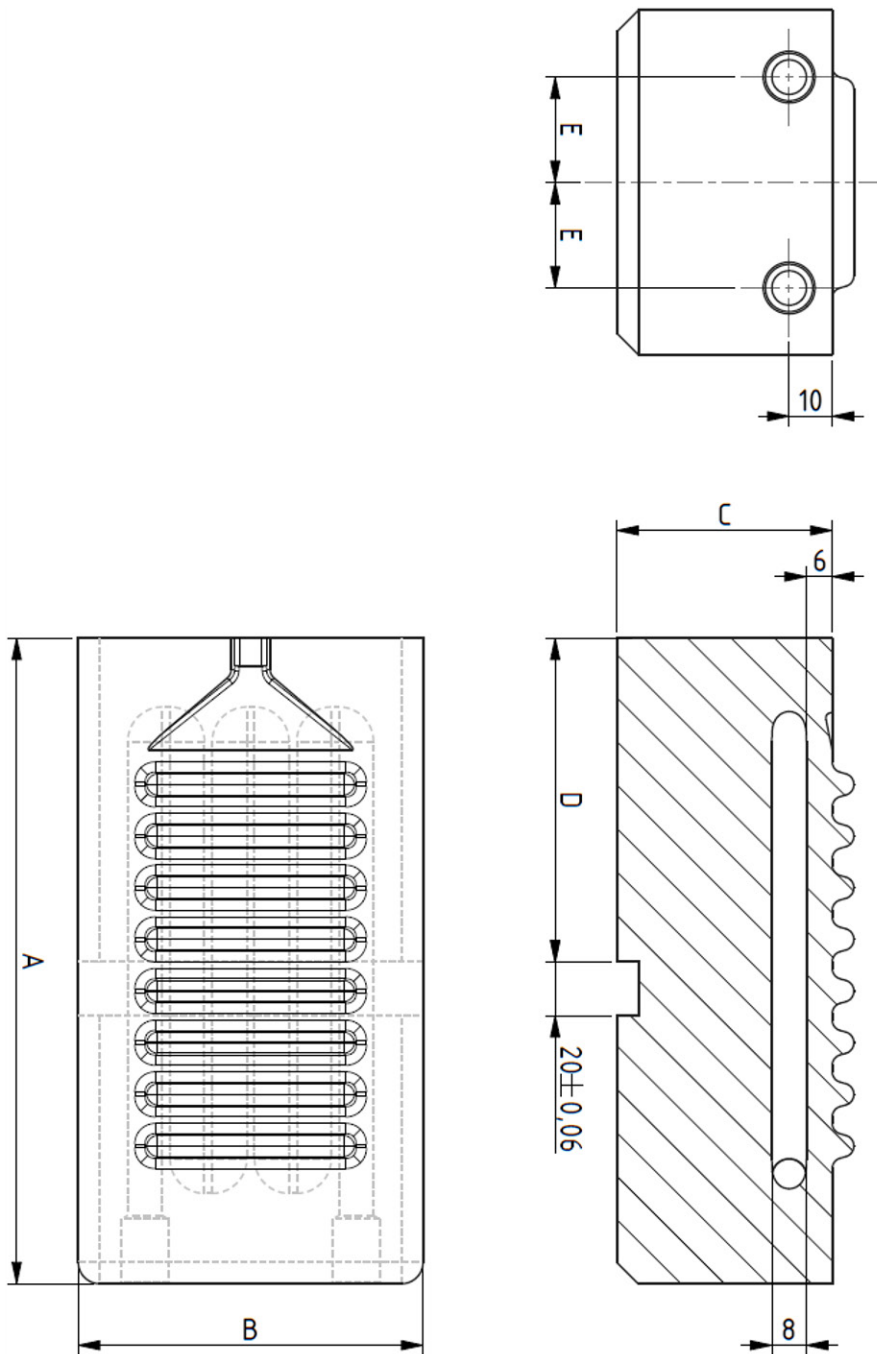
iTherm® Chill Vent

TOP HALF



iTherm® Chill Vent

BOTTOM HALF



**Do you need a slightly different
design or component?**

We got you covered.

Contact our die casting professionals and we will do our best to match your requirements. You can count on us to support you through each step of performance improvement.

sales@hts-ic.com