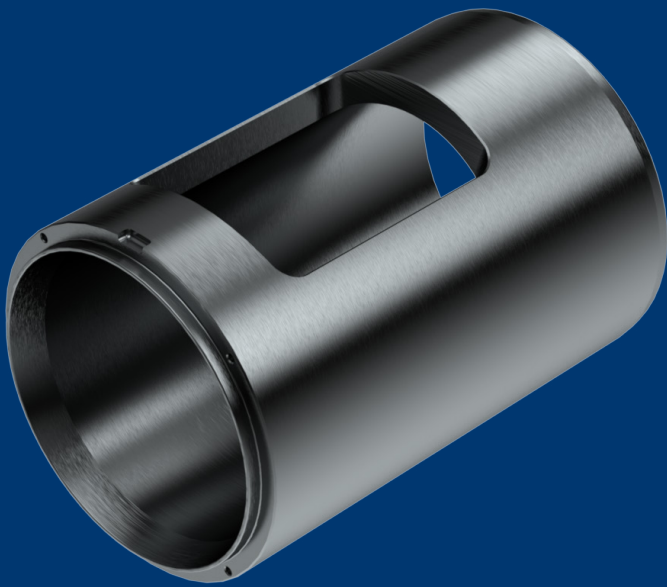




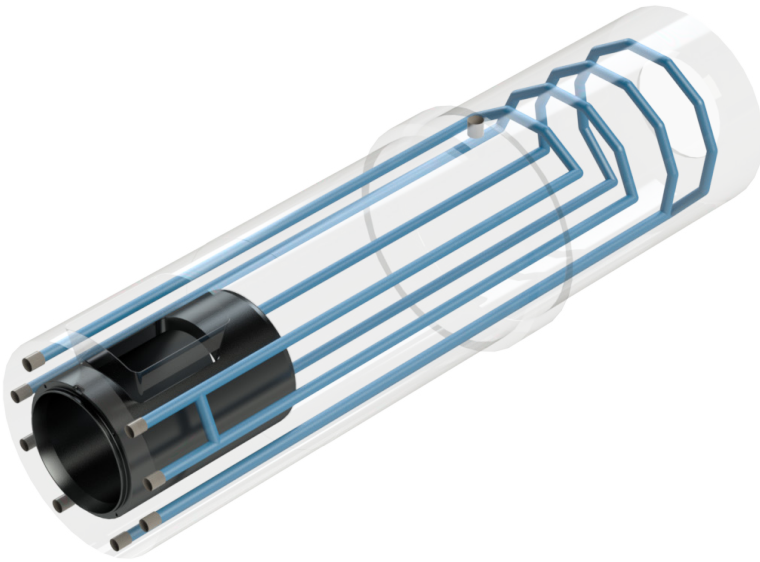
Products & Services > Die Casting
> Replaceable Insert / Liner

DATA SHEET

Replaceable Insert



Replaceable Insert / Liner



DESCRIPTION

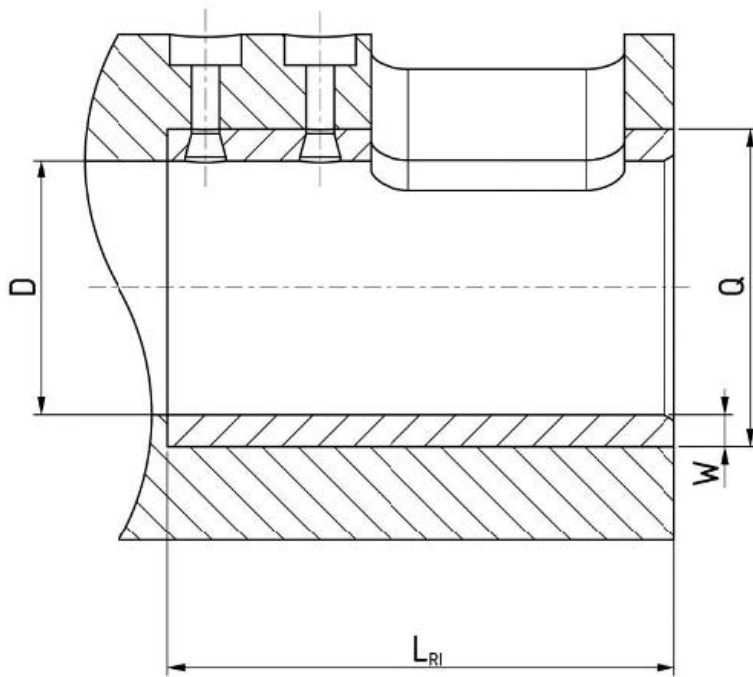
The replaceable insert is utilized to protect the sleeve body in the pour zone and thus improve sleeve in-service lifetime. Replaceable insert is a standard dimension part that fits our shot sleeves. A sleeve in average lasts for up to three insert replacements.

MAIN ADVANTAGES

- Beneficial in cases where the sleeve pour zone is subjected to severe operating conditions
- In case of larger shot sleeves, it extends the sleeve in-service life and therefore it substantially reduces operating costs

Replaceable Insert / Liner

GRAPH



D	W	Q	L_{RI}
50-60	10	D+20	150
60-70	10	D+20	150
70-80	10	D+20	150
80-90	12,5	D+25	160
90-100	12,5	D+25	160
100-110	15	D+30	180
110-120	17,5	D+35	210
120-130	17,5	D+35	220
130-140	20	D+40	220
140-150	20	D+40	230
150-160	20	D+40	230
160-170	25	D+50	250
170-180	25	D+50	250

All dimensions are in mm

Replaceable Insert / Liner

Do you need a slightly different design or component?

We got you covered.

Contact our die casting professionals and we will do our best to match your requirements. You can count on us to support you through each step of performance improvement.

sales@hts-ic.com