

# iTherm® Sprue Bushing

## PRODUCT DESCRIPTION

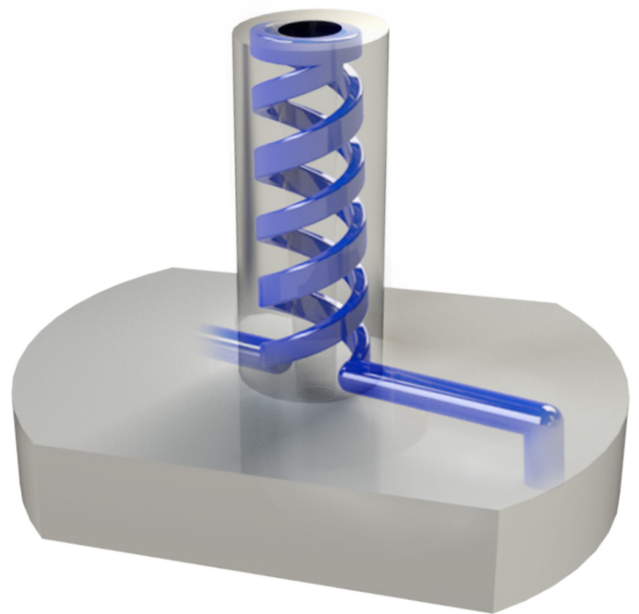
### 1 DESCRIPTION

iTherm® Sprue Bushing line sets the standard for conformal cooling of the sprue and has been proven to reduce cycle times up to 55%+ on molds limited by sprue cooling.

Other benefits include: rigidity for sprue picker automation, elimination of temperature related sprue sticking, improved wear resistance compared to copper-alloy alternatives, and insulation of the mold from heat conducted by the sprue nozzle.

The recommended use is on a separate cooling circuitry, in order to regulate flow and cooling power to achieve cavity fill before freezing of the sprue.

The iTherm® Sprue Bushing is the ultimate solution for thermal regulation of the sprue in cold runner systems. For hot runner systems, our line of iTherm® Nozzle Bushings (“gate pads”) with conformal cooling provide a similar solution.



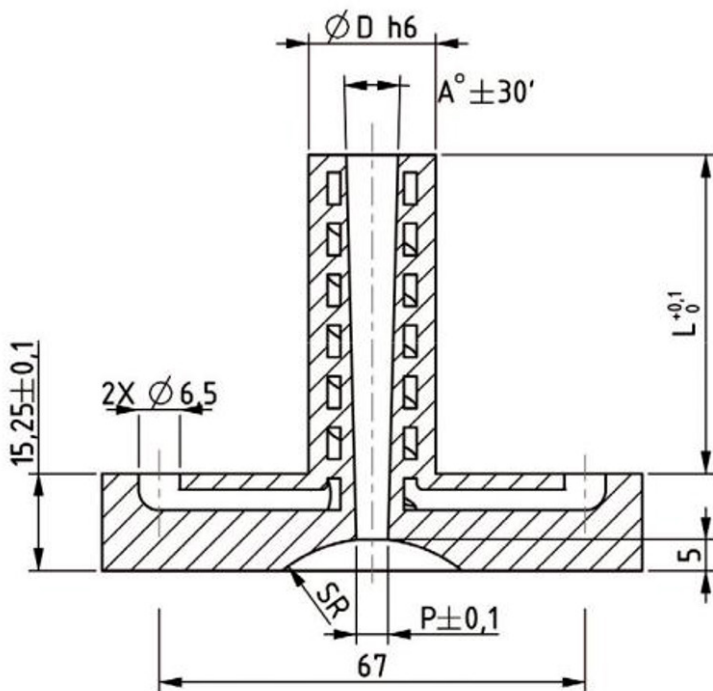
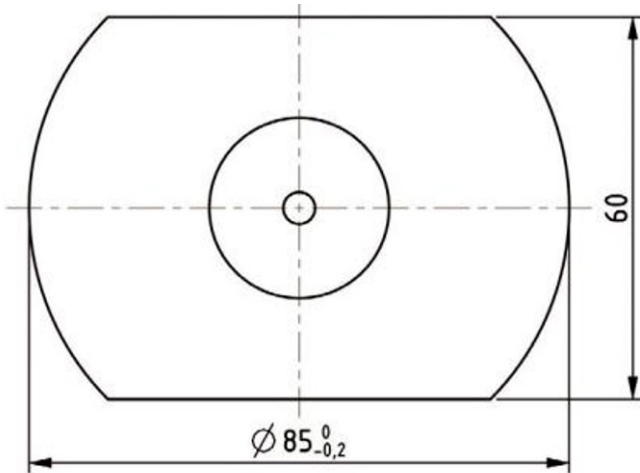
### 2 MAIN ADVANTAGES

- Our size options for off-the-shelf components allow for a full range of applications
- Custom sizes and cooling options available upon request for additional charge and lead time

# iTherm® Sprue Bushing

## TECHNICAL SPECIFICATIONS

### 1 CONNECTORS UP



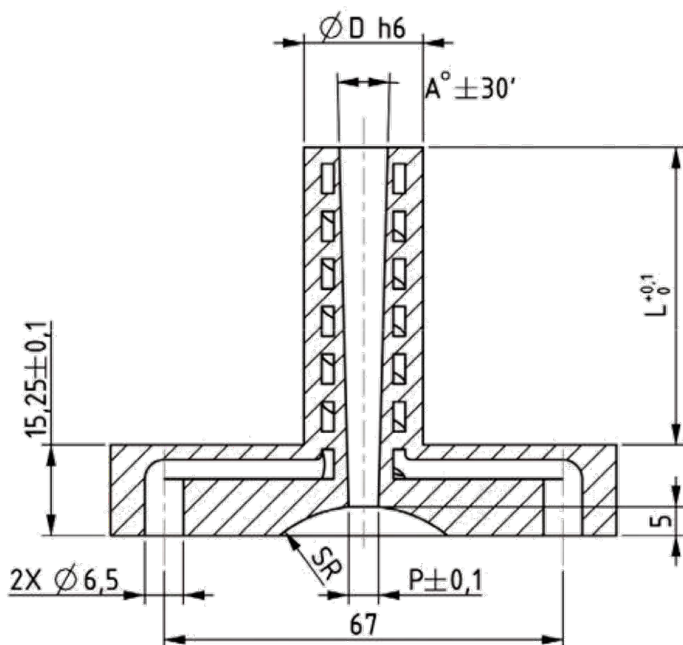
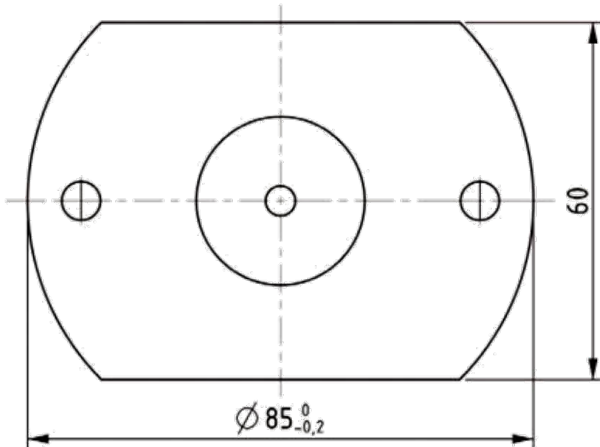
D	h6	L	SR	P	A
16	0-0,011	70-120	0	2	1-4
			10,5	2,5	
			11	3	
			12	3,5	
			13	4	
20	0-0,013	70-250	16	4,5	
			20	5	
			21	5,5	
25	0-0,013	70-250	23	6	
				6,5	
				7	
				8	

All dimensions are in mm

# iTherm® Sprue Bushing

## TECHNICAL SPECIFICATIONS

### 2 CONNECTORS DOWN



D	h6	L	SR	P	A
16	0-0,011	70-120	0	2	1-4
			10,5	2,5	
			11	3	
			12	3,5	
20	0-0,013	70-250	13	4	
			16	4,5	
			20	5	
25	0-0,013	70-250	21	5,5	
			23	6	
				6,5	
				7	
				8	

All dimensions are in mm

# iTherm® Sprue Bushing

---

Do you need a slightly  
different design or  
component?

We got you covered.

Contact our die casting professionals and we will do our best to match your requirements. You can count on us to support you through each step of performance improvement.

[sales@hts-ic.com](mailto:sales@hts-ic.com)