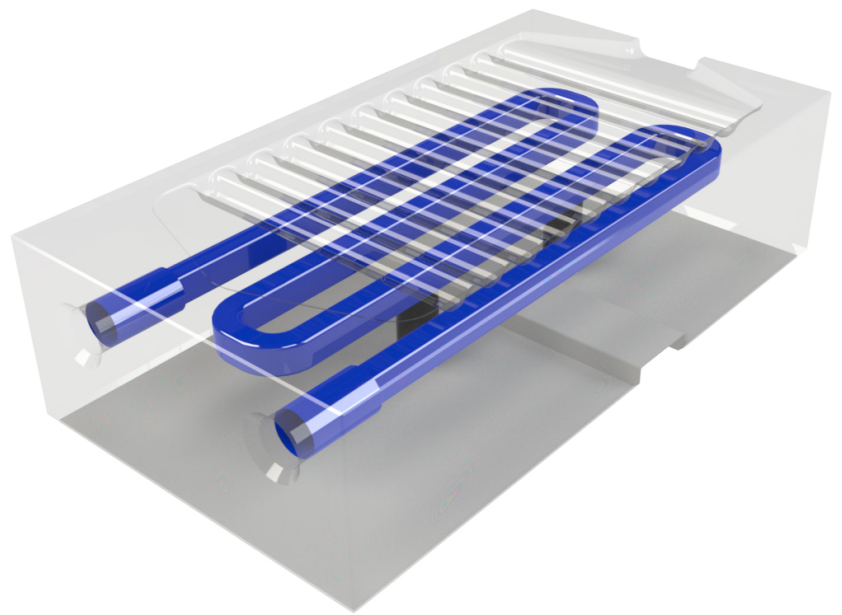


# iTherm® Chill Vents

## PRODUCT DESCRIPTION

### 1 DESCRIPTION

iTherm® line of high performance Chill Vents is engineered for optimum venting. iTherm® Chill Vents have built in conformal-cooling circuit that assures immediate freeze of molten metal.



### 2 MAIN ADVANTAGES

- Designed for high heat transfer
- Two standard design types; vacuum and non-vacuum, in both cases is possible to choose between 0,7 and 0,9 mm clearance.

# iTherm® Chill Vents

## TECHNICAL SPECIFICATIONS

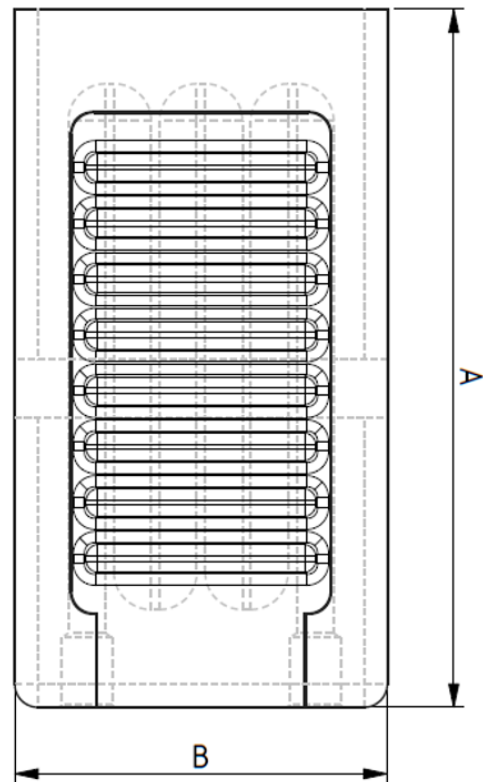
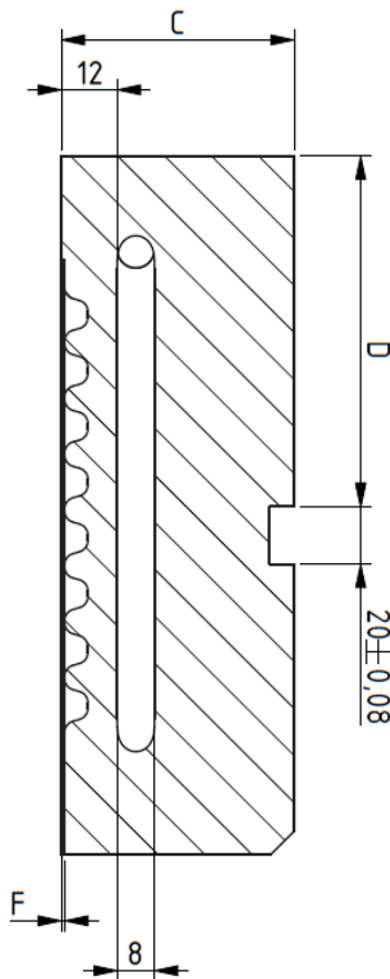
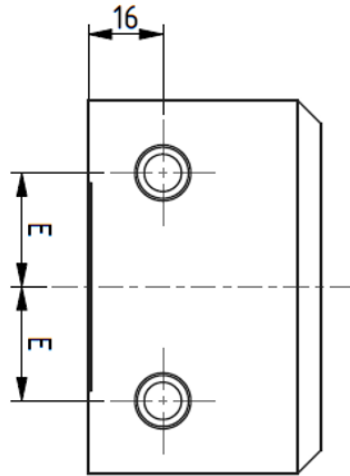
### 1 GENERAL DIMENSIONS

	Part ID			
	CVV-S-C7/9	CVV-M-C7/9	CVV-L-C7/9	CVV-XL-C7/9
A +0/-0,06	135	155	175	185
B +0/-0,05	80	90	90	100
C +0,05/-0	50			
D ± 0,046	55	55	65	65
E	24,5			
F	0,7/0,9			

# iTherm® Chill Vents

## TECHNICAL SPECIFICATIONS

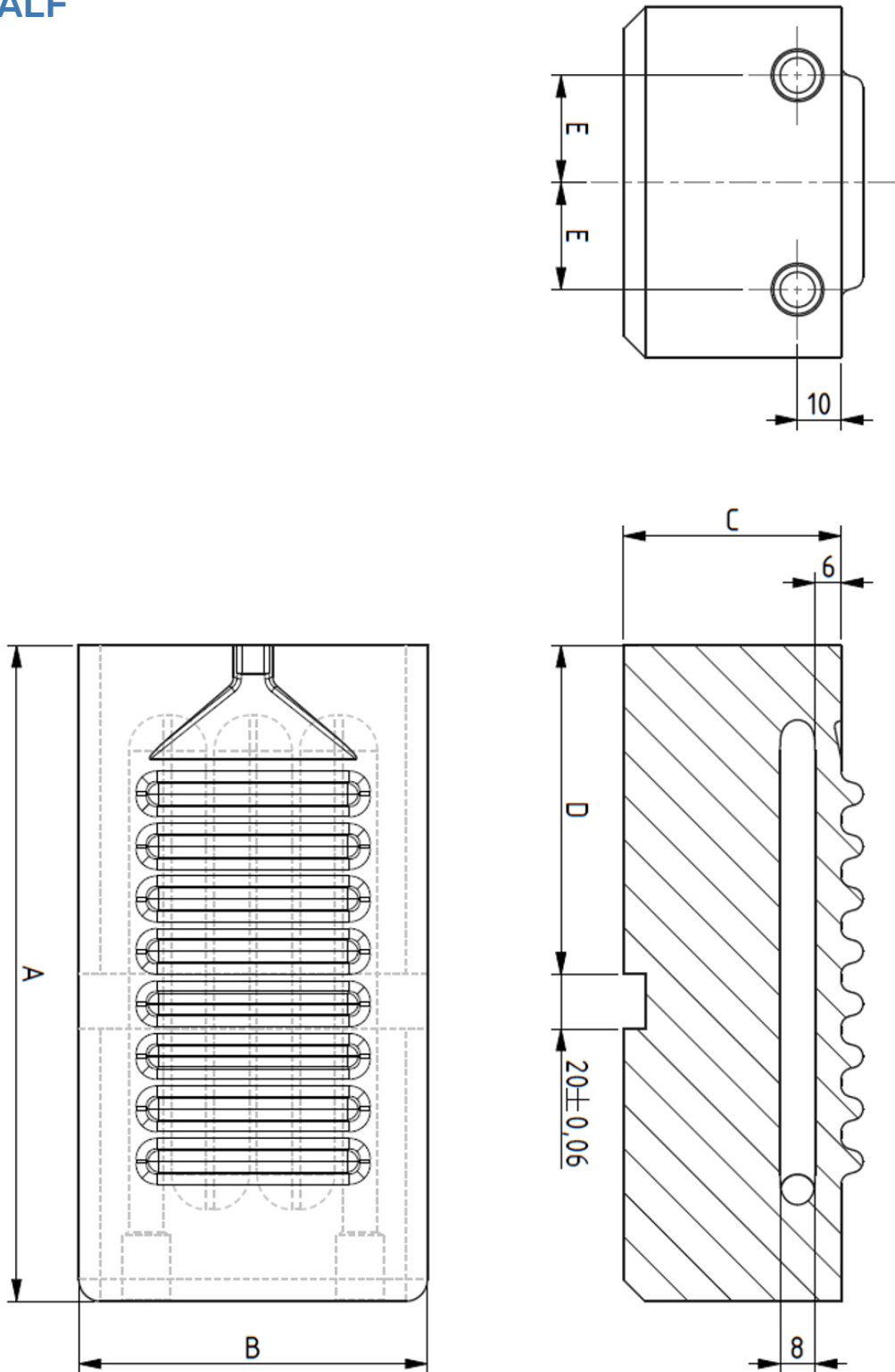
**TOP HALF**



# iTherm® Chill Vents

## TECHNICAL SPECIFICATIONS

### BOTTOM HALF



# iTherm® Chill Vents

---

## TECHNICAL SPECIFICATIONS

Do you need a slightly different  
design or component?

**We got you covered.**

Contact our die casting professionals and we will do our best to match your requirements. You can count on us to support you through each step of performance improvement.

[sales@hts-ic.com](mailto:sales@hts-ic.com)