

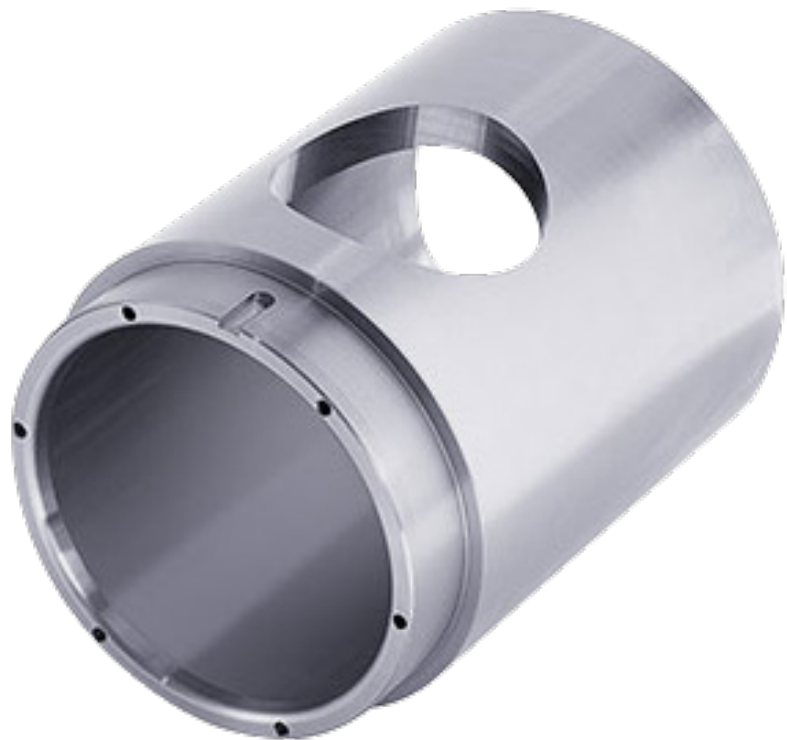
Replaceable Insert

PRODUCT DESCRIPTION

1 DESCRIPTION

Replaceable insert is utilized to protect sleeve body in the pour zone and thus improve sleeve in-service lifetime.

Replaceable insert is a standard dimension part that fits our shot sleeves. A sleeve in average resists up to three insert replacements.



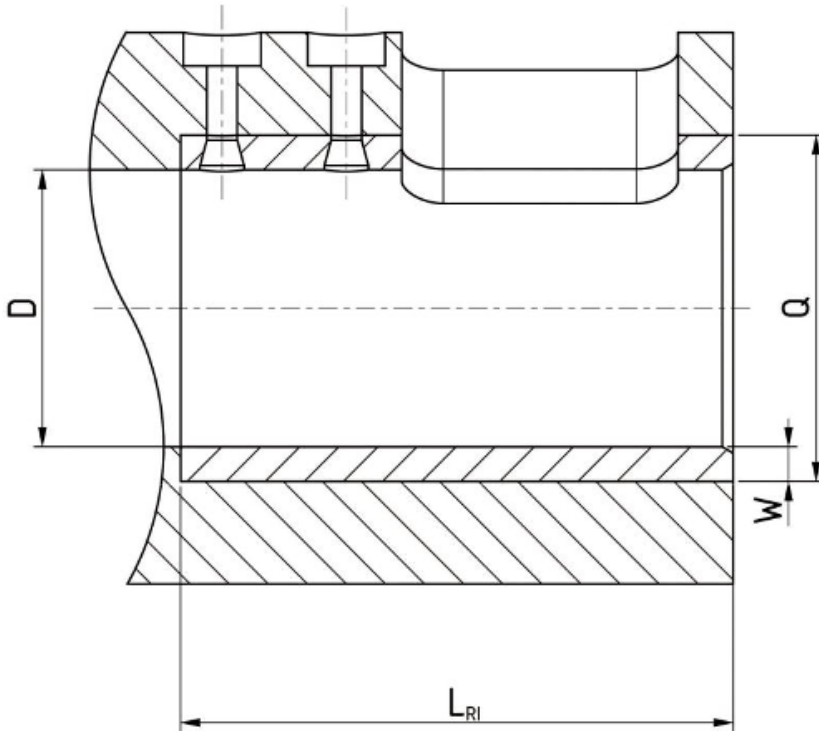
2 MAIN ADVANTAGES

- In cases where the sleeve pour zone is subjected to severe operating conditions
- in case of bigger dimension shot sleeves to extend the sleeve in-service life and substantially reduce operating costs

Replaceable Insert

TECHNICAL SPECIFICATIONS

1 GENERAL DIMENSIONS



D	W	Q	L _{RI}
50-60	10	D+20	150
60-70	10	D+20	150
70-80	10	D+20	150
80-90	12,5	D+25	160
90-100	12,5	D+25	160
100-110	15	D+30	180
110-120	17,5	D+35	210
120-130	17,5	D+35	220
130-140	20	D+40	220
140-150	20	D+40	230
150-160	20	D+40	230
160-170	25	D+50	250
170-180	25	D+50	250

All dimensions are in mm

Replaceable Insert

Do you need a slightly different
design or component?

We got you covered.

Contact our die casting professionals and we will do our best to match your requirements. You can count on us to support you through each step of performance improvement.

sales@hts-ic.com